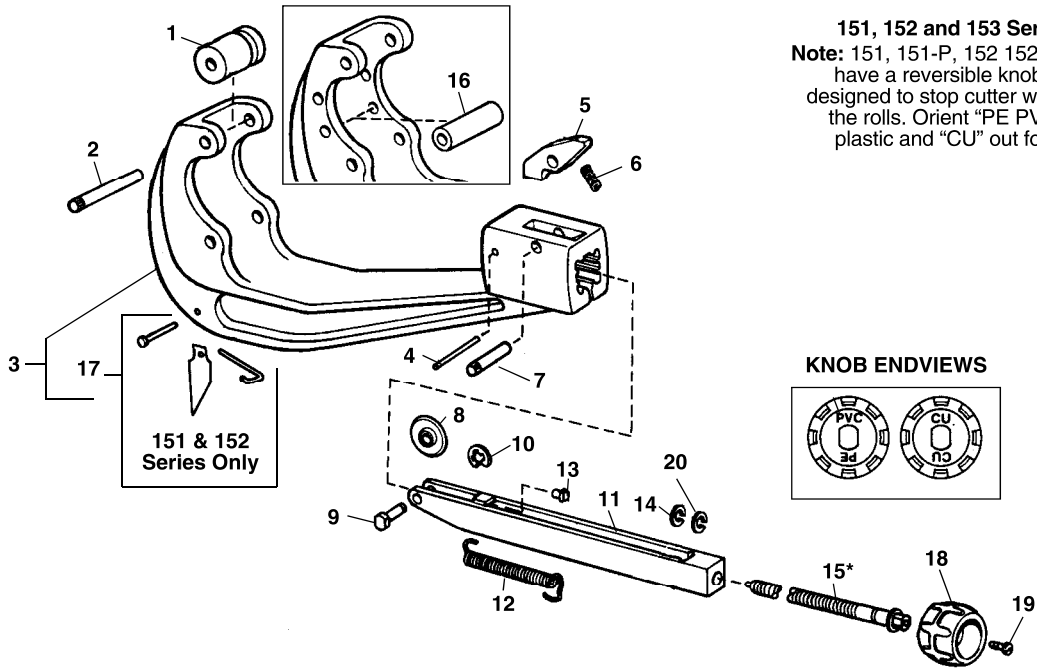


Tubing: Nos. 151, 152, 153, 154 and 156
Plastic Tubing and Plastic Pipe: Nos. 151-P, 152-P, 153-P, 154-P and 156-P
Capacity: 1/4" through 6 5/8" O.D.



151, 152 and 153 Series Only
Note: 151, 151-P, 152 152-P 153, 153-P have a reversible knob. Knob is designed to stop cutter wheel short of the rolls. Orient "PE PVC" out for plastic and "CU" out for copper.

NOTE: Order parts by Catalog Number only.
DO NOT order by Reference Number.

Ref. No.	151 1/4"-1 1/8" O.D.	152 1/4"-2 5/8" O.D.	153 1 1/4"-3 1/2" O.D.	154 1 7/8"-4 1/4" O.D.	156 4"-6 5/8" O.D.
1	32097 (2)	34670 (2)	34670 (2)	32102 (2)	32102 (2)
2	32107 (2)	32112 (4)	32112 (4)	32117 (2)	32117 (2)
3	32017	32022	32962	32027	32032
4	33122	32152	32152	32157	32157
5	51307	51312	51312	51312	51312
6	34190	34190	34190	34190	34190
7	41545	78425	78425	51302	51302
8	33185	33185	33185	33170	33170
9	32142	32142	32142	32147	32147
—	21533	21533	21533	22643	22643
10	74740	74740	74740	34175	34175
11	32037	32042	32042	32047	32047
12	32087	32092	32092	32092	32092
13	41577	32082	32082	32082	32082
14	32162	32167	32167	32167	32167
15*	41847	32057	32057	22383	22383
16	—	34665 (2)	—	—	—
17	32172	32172	—	—	—
18	33177	33182	33182	33182	33182
19	61097	61097	61097	61097	61097
20	—	—	—	47137	47137
Description	151-P	152-P	153-P	154-P	156-P
8	1/4"-1" Nom. 74720	1/4"-2" Nom. 74720	1 1/4"-3 1/2" Nom. 74720	1 7/8"-4" Nom. 74730	4"-6" Nom. 74735
Description	—	152-PVC 1/4"-2" Nom. 33195	—	—	—

NOTE: 1. All parts for the P-Series are the same as the Quick-Acting except for those parts listed.
 2. 151-P and 152-P can cut thin wall PVC and flexible plastic when using the 33200 Cutter Wheel.
 * 151 Feed Screw also includes Ref. 13 Bearing.